

TOOLS CATALOG

"Quality The First Time"

WHO WE ARE

GOEBEL FASTENERS INC. is a subsidiary of GOEBEL GmbH, which has been the leading corporation in Europe for specialty fastener technology since 1979.

We founded our U.S. headquarters in 2016, located in Houston, TX with one goal in mind. To provide unparalleled high quality products and first class service to each and every customer. Our products demonstrate innovation that not only exceeds the norm, but enhances quality, reduces maintenance, and increases application efficiency.



Limited Warranty

Tooling Warranty: Goebel Fasteners, Inc. warrants that tooling and other items (excluding fasteners, and hereinafter referred as "other items") manufactured by Goebel Fasteners, Inc. shall be free from defects in workmanship and materials for a period of twelve (12) months from the date of original purchase.

THERE ARE NO WARRANTIES WHICH EXTEND BEYOND THE DESCRIPTION ON THE FACE HEREOF. GOEBEL FASTENERS, INC. MAKES NO OTHER WARRANTIES AND EXPRESSLY DISCLAIMS ANY OTHER WARRANTIES, INCLUDING IMPLIED WARRANTIES AS TO MERCHANTABILITY OR AS TO THE FITNESS OF THE TOOLING, OTHER ITEMS, NONSTANDARD OR CUSTOM MANUFACTURED PRODUCTS FOR ANY PARTICULAR PURPOSE AND HUCK SHALL NOT BE LIABLE OR ANY LOSS OR DAMAGE, DIRECTLY OR INDIRECTLY, ARISING FROM THE USE OF SUCH TOOLING, OTHER ITEMS, NONSTANDARD OR CUSTOM MANUFACTURED PRODUCTS OR BREACH OF WARRANTY OR FOR ANY CLAIM FOR INCIDENTAL OR CONSEQUENTIAL DAMAGES.

Goebel Fasteners, Inc.'s sole liability and Buyer's exclusive remedy for any breach of warranty shall be limited, at Goebel Fasteners, Inc.'s option, to replacement or repair, at FOB Goebel Fasteners, Inc.'s plant, of Goebel Fasteners, Inc. manufactured tooling, other items, nonstandard or custom products found to be defective in specifications, workmanship and materials not otherwise the direct or indirect cause of Buyer supplied molds, material, tooling or fixtures. Buyer shall give Goebel Fasteners, Inc. written notice of claims for defects within the twelve (12) months warranty period for tooling, other items, nonstandard or custom products described above and Goebel Fasteners, Inc. shall inspect products for which such claim is made.

Tooling, Part(s) and Other Items not manufactured by Goebel Fasteners, Inc. GOEBEL FASTENERS, INC. MAKES NO WARRANTY WITH RESPECT TO THE TOOLING, PART(S) OR OTHER ITEMS MANUFACTURED BY THIRD PARTIES. GOEBEL FASTENERS, INC. EXPRESSLY DISCLAIMS ANY WARRANTY EXPRESSED OR IMPLIED, AS TO THE CONDITION, DESIGN, OPERATION, MERCHANTABILITY OR FITNESS FOR USE OF ANY TOOL, PART(S), OR OTHER ITEMS THEREOF NOT MANUFACTURED BY GOEBEL FASTENERS, INC. GOEBEL FASTENERS, INC. SHALL NOT BE LIABLE FOR ANY LOSS OR DAMAGE, DIRECTLY OR INDIRECTLY, ARISING FROM THE USE OF SUCH TOOLING, PART(S) OR OTHER ITEMS OR BREACH OF WARRANTY OR FOR ANY CLAIM FOR INCIDENTAL OR CONSEQUENTIAL DAMAGES.

The only warranties made with respect to such tool, part(s) or other items thereof are those made by the manufacturer thereof and Goebel Fasteners, Inc. agrees to cooperate with Buyer in enforcing such warranties when such action is necessary. Goebel Fasteners, Inc. shall not be liable for any loss or damage resulting from delays or nonfulfillment of orders owing to strikes, fires, accidents, transportation companies or for any reason or reasons beyond the control of the Goebel Fasteners, Inc. or its suppliers.



TABLE OF CONTENTS

| | |
|---|---------|
| TOOL SELECTION GUIDE | 4 - 7 |
| HAND TOOLS FOR BLIND RIVETS | |
| GO-2 & GO-3 | 8 |
| GO-55 & GO-360 | 9 |
| GO-40 & GO-25-SN | 10 |
| GO-39 | 11 |
| GO-12-R | 12 |
| HAND TOOLS FOR BLIND RIVET NUTS | |
| GO-35 & GO-35-UN | 13 |
| GO-510 & GO-510-UN | 14 |
| GO-520 & GO-520-UN | 15 |
| GO-12-N | 16 |
| HAND TOOLS FOR PIN & COLLAR | |
| GO-12-P | 17 |
| PNEUMATIC TOOLS FOR BLIND RIVETS | |
| AIRPOWER 1 & AIRPOWER 2 | 18 |
| AIRPOWER 3 | 19 |
| PNEUMATIC TOOLS FOR BLIND RIVET NUTS | |
| AIRPOWER 4 | 19 |
| AIRPOWER 5 | 20 |
| CORDLESS TOOLS FOR BLIND RIVETS | |
| GO-100 | 21 |
| GO-BR1 | 22 - 23 |
| GO-100+ | 24 |
| GO-TR1 | 25 - 26 |
| GO-200 | 27 |
| GO-BR2 | 28 - 29 |
| CORDLESS TOOLS FOR BLIND RIVET NUTS | |
| GO-300-UN | 30 |
| GO-RN1 | 31 - 32 |
| GO-RN2 | 33 - 34 |
| GO-SN1 | 35 - 36 |
| CORDLESS TOOLS FOR PIN & COLLAR | |
| GO-400 | 37 |
| GO-LB1 | 38 - 39 |
| GO-HX1 | 40 - 41 |



TOOL SELECTION GUIDE



| | | | BLIND RIVETS | | | | | |
|------------------------|------------|--|--|-------------|--------------|--------------|-------------|--------------|
| | | | STANDARD BLIND RIVETS, MULTI-GRIP, TRI-FOLDING, SPECIAL BLIND RIVETS | | | | | |
| | | | 3/32" 2.4 mm | 1/8" 3.2 mm | 5/32" 4.0 mm | 3/16" 4.8 mm | 1/4" 6.4 mm | 9/32" 7.5 mm |
| HAND | GO-2 | | | | | | | |
| | GO-3 | | | | | | | |
| | GO-55 | | | | | AS | | |
| | GO-360 | | | | AS | AS | | |
| | GO-40 | | | | | | | |
| | GO-25-SN | | | | | | | |
| | GO-39 | | | | | | | |
| | GO-12-R | | | | | | | |
| PNEUMATIC HYDRAULIC | AIRPOWER 1 | | | | | | | |
| | AIRPOWER 2 | | | | | | | |
| | AIRPOWER 3 | | | | | | | |
| CORDLESS | GO-100 | | | | | | | |
| | GO-BR1 | | | | | | | |
| | GO-100+ | | | | | * | * | * |
| | GO-TR1 | | | | | * | * | * |
| | GO-200 | | | | | | | |
| | GO-BR2 | | | | | | | |

A: ALUMINUM / COPPER
S: STEEL
I: INOX

BLUE FIELD: RECOMMENDED WORKING RANGE (ASI)
SPECIFICS ARE INDICATED BY RELEVANT LETTERS
* = SPECIAL NOSE PIECE REQUIRED FOR SETTING

Subject to modifications



TOOL SELECTION GUIDE

| | | | SEMI-STRUCTURAL BLIND RIVETS | | | | | | | |
|---------------------|------------|--|------------------------------|--------------|--------------|--------------|-------------|--------------|--------------|--|
| | | | GO-BULB II | | | | GO-INOX II | | | |
| | | | 1/8" 3.2 mm | 5/32" 4.0 mm | 3/16" 4.8 mm | .236" 6.0 mm | 1/8" 3.2 mm | 5/32" 4.0 mm | 3/16" 4.8 mm | |
| HAND | GO-40 | | | | | | | | | |
| | GO-25-SN | | | | | | | | | |
| | GO-12-R | | | | | | | | | |
| | GO-39 | | | | | | | | | |
| PNEUMATIC HYDRAULIC | AIRPOWER 1 | | | | | | | | | |
| | AIRPOWER 2 | | | | | | | | | |
| | AIRPOWER 3 | | | | | | | | | |
| CORDLESS | GO-100 | | | | | | | | | |
| | GO-BR1 | | | | | | | | | |
| | GO-200 | | | | | | | | | |
| | GO-BR2 | | | | | | | | | |

| | | | STRUCTURAL BLIND RIVETS | | | | | | | |
|---------------------|------------|--|-------------------------|-------------|--------------|-------------|-------------|--------------|-------------|--|
| | | | GO-LOCK | | M-LOCK | | H-LOCK | PREMIUM | | |
| | | | 3/16" 4.8 mm | 1/4" 6.4 mm | 3/16" 4.8 mm | 1/4" 6.4 mm | 1/4" 6.4 mm | 3/16" 4.8 mm | 1/4" 6.4 mm | |
| HAND | GO-40 | | | AS | * | * AS | AS | | AS | |
| | GO-25-N | | | AS | * | * AS | AS | | AS | |
| | GO-12-R | | | A | | | | | A | |
| | GO-39 | | | | * | * | | | | |
| PNEUMATIC HYDRAULIC | AIRPOWER 1 | | A | | | | | A | | |
| | AIRPOWER 2 | | | A | | | | | A | |
| | AIRPOWER 3 | | | | * | * | | | | |
| CORDLESS | GO-100 | | | A | | | | | | |
| | GO-BR1 | | | | | | | | | |
| | GO-200 | | | | * | * | | | | |
| | GO-BR2 | | | | * | * | | | | |

A: ALUMINUM / COPPER
 S: STEEL
 I: INOX

BLUE FIELD: RECOMMENDED WORKING RANGE (ASI)
 SPECIFICS ARE INDICATED BY RELEVANT LETTERS
 * = SPECIAL NOSE PIECE REQUIRED FOR SETTING

Subject to modifications



TOOL SELECTION GUIDE


| | | | BLIND RIVET NUTS | | | | | | | |
|--------------|------------|--------|------------------|---------|---------|-----------|------------|------------|-----------|-----------|
| | | | M3 | M4 | M5 | M5 | M6 | M8 | M10 | M12 |
| HAND | GO-35 | | | | | | AS | | | |
| | GO-510 | | | | | | | | | AS |
| | GO-520 | | | | | | | | | AS |
| | | | 6 - 32 | 8 - 32 | 10 - 24 | 10 - 32 | 1/4" - 20 | 5/16" - 18 | 3/8" - 16 | 1/2" - 13 |
| | GO-35-UN | | | | | | AS | | | |
| | GO-12-N | | | | | | | | | |
| | GO-510-UN | | | | | | | | | AS |
| | GO-520-UN | | | | | | | | | AS |
| PNEUM. HYDR. | | | M3 | M4 | M5 | M5 | M6 | M8 | M10 | M12 |
| | AIRPOWER 4 | | | | | | | | | AS |
| | | | 6 - 32 | 8 - 32 | 10 - 24 | 10 - 32 | 1/4" - 20 | 5/16" - 18 | 3/8" - 16 | 1/2" - 13 |
| | | | | | | | | | | AS |
| | AIRPOWER 5 | | | | | | | | | |
| | | | 6 - 32 | 8 - 32 | 10 - 24 | 10 - 32 | 1/4" - 20 | 5/16" - 18 | 3/8" - 16 | 1/2" - 13 |
| CORDLESS | | | M3 | M4 | M5 | M5 | M6 | M8 | M10 | M12 |
| | GO-300-UN | | | | | | | | | AS |
| | | | 6 - 32 | 8 - 32 | 10 - 24 | 10 - 32 | 1/4" - 20 | 5/16" - 18 | 3/8" - 16 | 1/2" - 13 |
| | | | | | | | | | | AS |
| | GO-RN1 | | | | | | | | | |
| | | | 6 - 32 | 8 - 32 | 10 - 24 | 10 - 32 | 1/4" - 20 | 5/16" - 18 | 3/8" - 16 | 1/2" - 13 |
| | | | | | | | | | | |
| | GO-RN2 | | | | | | | | | |
| | | | 6 - 32 | 8 - 32 | 10 - 24 | 10 - 32 | 1/4" - 20 | 5/16" - 18 | 3/8" - 16 | 1/2" - 13 |
| | | | | | | | | | | |
| GO-SN1 | | | | | | | | | | |
| | | 6 - 32 | 8 - 32 | 10 - 24 | 10 - 32 | 1/4" - 20 | 5/16" - 18 | 3/8" - 16 | 1/2" - 13 | |
| | | | | | | | | | | |

A: ALUMINUM / COPPER
 S: STEEL
 I: INOX

BLUE FIELD: RECOMMENDED WORKING RANGE (ASI)
 SPECIFICS ARE INDICATED BY RELEVANT LETTERS
 * = SPECIAL NOSE PIECE REQUIRED FOR SETTING



TOOL SELECTION GUIDE

|  | | | PIN & COLLAR | | | |
|---|---------|---|--------------|-------------|--------------|-------------|
| | | | 3/16" 4.8 mm | 1/4" 6.4 mm | 5/16" 8.0 mm | 3/8" 9.6 mm |
| HAND | GO-12-P |  | | | | |
| | GO-400 | | | | | |
| CORDLESS | GO-LB1 | | | | | |

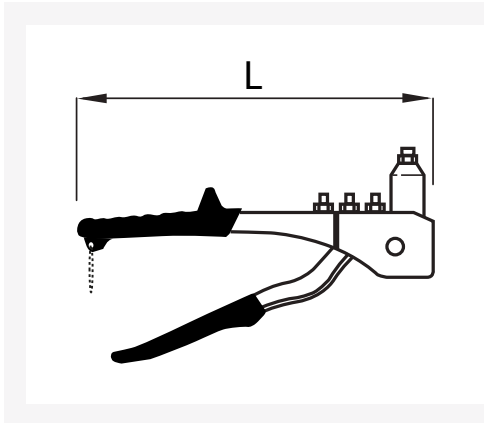
A: ALUMINUM / COPPER
 S: STEEL
 I: INOX

BLUE FIELD: RECOMMENDED WORKING RANGE (ASI)
 SPECIFICS ARE INDICATED BY RELEVANT LETTERS
 * = SPECIAL NOSE PIECE REQUIRED FOR SETTING



GO-2 - HAND RIVET TOOL

AUTOMATIC EJECTION OF RETAINED MANDREL AFTER SETTING BLIND RIVET

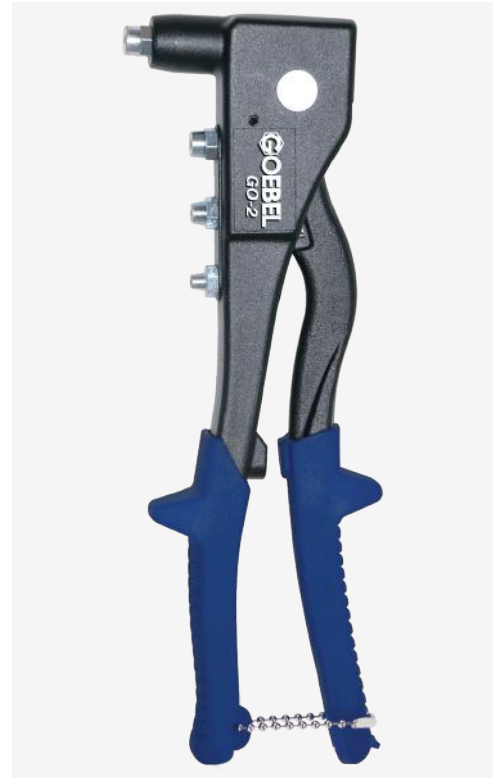


RIVETING CAPACITY FOR BLIND RIVETS

ø 3/32" up to 3/16"

ø 2.4 up to 4.8 mm

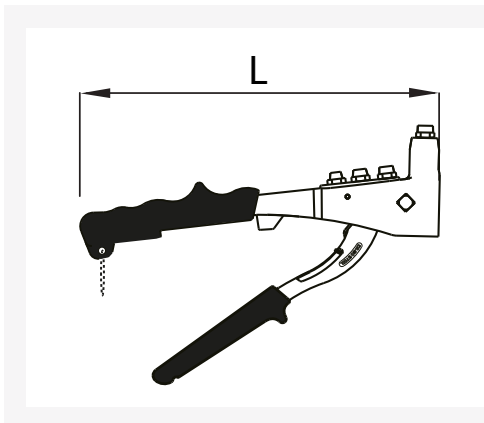
All Materials



| | | |
|-----------|---|-----------------------|
| WEIGHT | 1.15 lbs | 0.52 kg |
| LENGTH | 9 - 1/2" | 243 mm |
| EQUIPMENT | INCLUDES FOUR MOUNTED NOSEPIECES (3/32", 1/8", 5/32", 3/16") AND A SERVICE WRENCH | 2.4, 3.2, 4.0, 4.8 mm |
| MATERIAL | HIGH STRENGTH ALUMINUM BODY WITH FORGED STEEL UPPER HANDLE | |
| ITEM CODE | 22900 00020 | |

GO-3 - HAND RIVET TOOL

AUTOMATIC EJECTION OF RETAINED MANDREL AFTER SETTING BLIND RIVET



RIVETING CAPACITY FOR BLIND RIVETS

ø 3/32" up to 3/16"

ø 2.4 up to 4.8 mm

All Materials

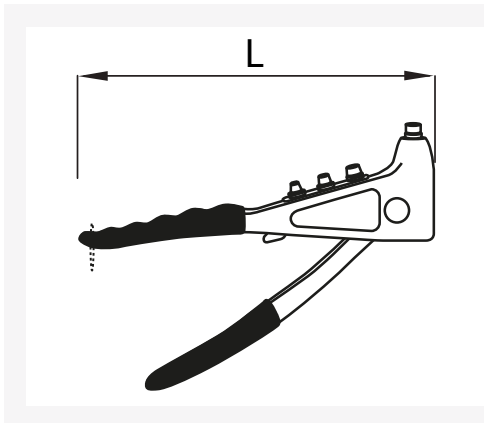


| | | |
|-----------|---|-----------------------|
| WEIGHT | 1.32 lbs | 0.60 kg |
| LENGTH | 10 - 1/4" | 260 mm |
| EQUIPMENT | INCLUDES FOUR MOUNTED NOSEPIECES (3/32", 1/8", 5/32", 3/16") AND A SERVICE WRENCH | 2.4, 3.2, 4.0, 4.8 mm |
| MATERIAL | HIGH STRENGTH ALUMINUM BODY WITH FORGED CR-MO STEEL UPPER HANDLE | |
| ITEM CODE | 22900 00030 | |

Subject to modifications

GO-55 - HAND RIVET TOOL

AUTO HOLD DESIGN KEEPS MANDREL GRIPPED IN ANY POSITION



RIVETING CAPACITY FOR BLIND RIVETS

ø 3/32" up to 5/32"

ø 2.4 up to 4.0 mm

All Materials

ø 3/16"

ø 4.8 mm

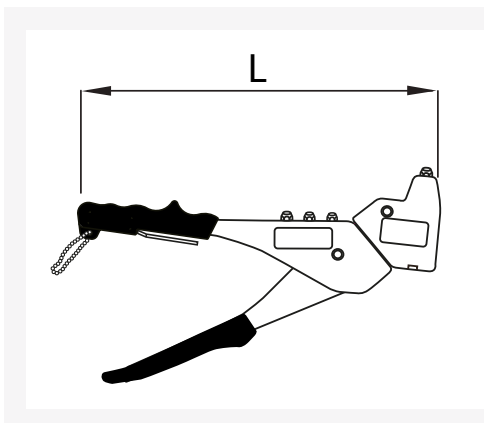
Aluminum / Steel



| | | |
|-----------|---|-----------------------|
| WEIGHT | 1.17 lbs | 0.53 kg |
| LENGTH | 9 - 1/4" | 235 mm |
| EQUIPMENT | INCLUDES FOUR MOUNTED NOSEPIECES (3/32", 1/8", 5/32", 3/16") AND A SERVICE WRENCH | 2.4, 3.2, 4.0, 4.8 mm |
| MATERIAL | HIGH STRENGTH ALUMINUM BODY WITH FORGED STEEL UPPER HANDLE | |
| ITEM CODE | 22900 00550 | |

GO-360 - HAND RIVET TOOL

360° SWIVEL RATCHET HEAD - AUTOMATIC EJECTION OF RETAINED MANDREL AFTER SETTING BLIND RIVET



RIVETING CAPACITY FOR BLIND RIVETS

ø 3/32" up to 1/18"

ø 2.4 up to 3.2 mm

All Materials

ø 5/32"

ø 4.0 mm

Aluminum / Steel

ø 3/16"

ø 4.8 mm

Aluminum

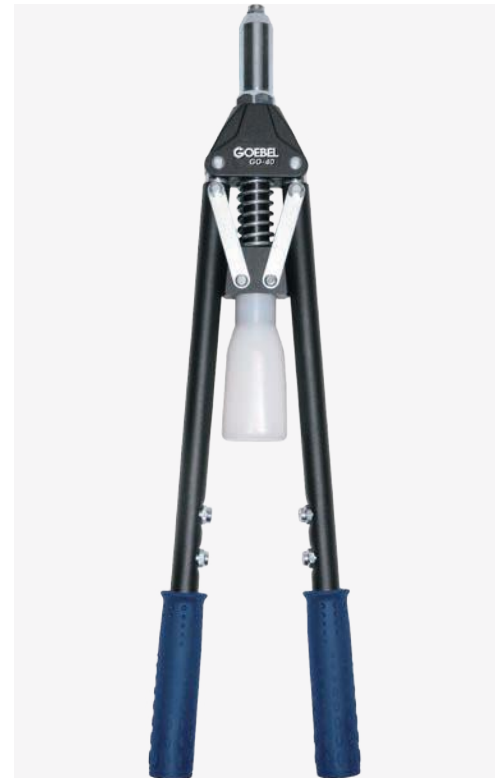
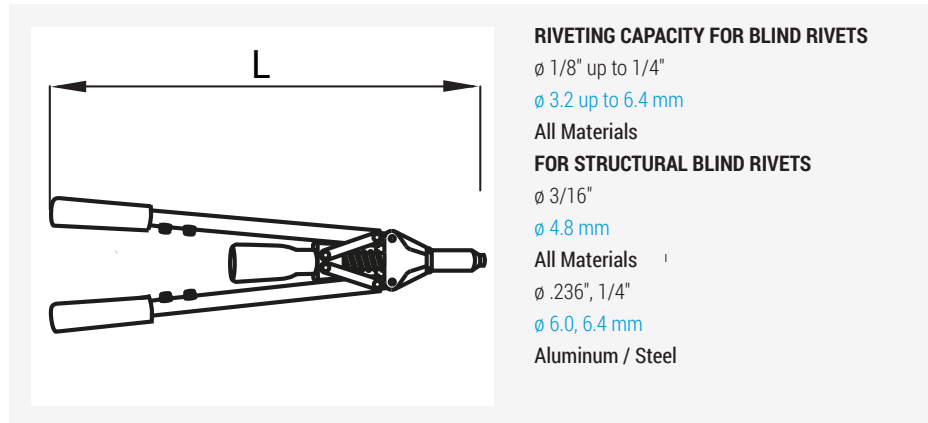


| | | |
|-----------|---|-----------------------|
| WEIGHT | 1.57 lbs | 0.71 kg |
| LENGTH | 11 - 7/16" | 290 mm |
| EQUIPMENT | INCLUDES FOUR MOUNTED NOSEPIECES (3/32", 1/8", 5/32", 3/16") AND A SERVICE WRENCH | 2.4, 3.2, 4.0, 4.8 mm |
| MATERIAL | HIGH STRENGTH ALUMINUM HEAD AND BODY WITH HEAVY-DUTY STEEL UPPER HANDLE | |
| ITEM CODE | 22900 03600 | |



GO-40 - HEAVY DUTY LEVER TYPE HAND RIVET TOOL

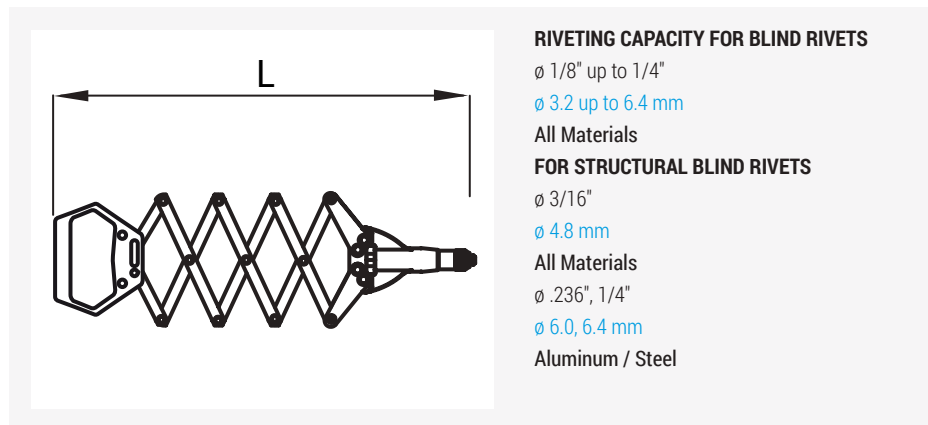
HIGH LEVERAGE DESIGN TO REDUCE GRIP FORCE PRESSURE - INCLUDES SPENT MANDREL CONTAINER



| | | |
|------------------|--|----------------------------|
| WEIGHT | 3.77 lbs | 1.71 kg |
| LENGTH | 21" | 533 mm |
| EQUIPMENT | INCLUDES FIVE STANDARD NOSEPIECES (1/8", 5/32", 3/16", .236", 1/4") AND SERVICE WRENCH | 3.2, 4.0, 4.8, 6.0, 6.4 mm |
| MATERIAL | ROBUST STRUCTURE WITH HIGH STRENGTH ALUMINUM BODY & LARGE STEEL HANDLES | |
| ITEM CODE | 22900 00400 | |

GO-25-SN - HEAVY DUTY LAZY TONG RIVET TOOL

4-JOINTED SLIDE BLOCK BEARING DESIGN REDUCES MANUAL EXERTION



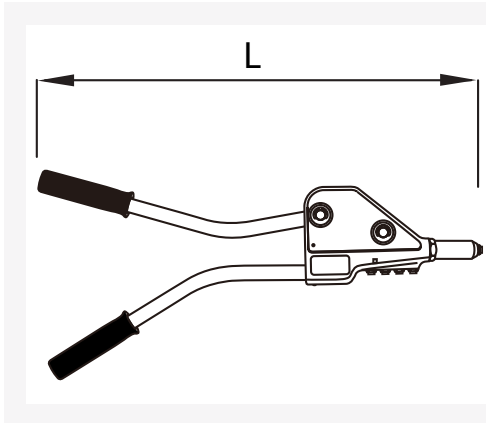
| | | |
|------------------|---|----------------------------|
| WEIGHT | 4.28 lbs | 1.94 kg |
| LENGTH | (CLOSED) 12 - 5/8" / (OPENED) 32 - 1/4" | 320 / 820 mm |
| EQUIPMENT | INCLUDES FIVE STANDARD NOSEPIECES (1/8", 5/32", 3/16", .236", 1/4") | 3.2, 4.0, 4.8, 6.0, 6.4 mm |
| MATERIAL | HIGH STRENGTH ALUMINUM BODY AND HANDLE | |
| ITEM CODE | 22900 00250 | |

Subject to modifications



GO-39 - SUPER HEAVY DUTY HAND RIVET TOOL

HIGH LEVERAGE 3-GEAR SYSTEM DESIGN SIGNIFICANTLY REDUCES GRIP FORCE PRESSURE



RIVETING CAPACITY FOR BLIND RIVETS

∅ 5/32" up to 1/4"

∅ 4.0 up to 6.4 mm

All Materials

FOR STRUCTURAL BLIND RIVETS

∅ 3/16" up to 1/4"

∅ 4.8 up to 6.4 mm

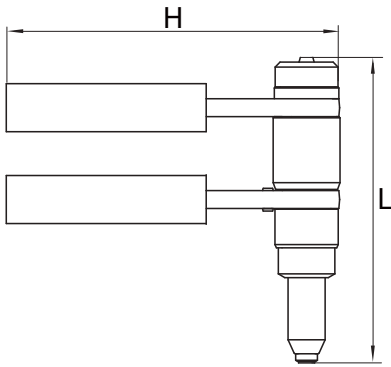
All Materials



| | | |
|------------------|---|---------------------------------|
| WEIGHT | 3.92 lbs | 1.78 kg |
| LENGTH | 22" | 560 mm |
| EQUIPMENT | INCLUDES THREE STANDARD NOSEPIECES (5/32", 3/16", 1/4") PLUS TWO MONOBOLT® NOSEPIECES (3/16", 1/4") AND A SERVICE WRENCH | 4.0, 4.8, 6.4 mm 4.8, 6.4 mm |
| MATERIAL | HIGH STRENGTH 1-PIECE ALUMINUM BODY & LARGE STEEL HANDLES | |
| ITEM CODE | 22900 00390 | |



GO-12-R SET - HAND RATCHET TOOL FOR BLIND RIVETS



RIVETING CAPACITY FOR BLIND RIVETS

ø 3/32" up to 1/4"

ø 2.4 up to 6.4 mm

All Materials



| | | |
|------------------|--|------------------------------------|
| WEIGHT | 2.32 lbs | 1.05 kg |
| L x H | 7.28" x 8.15" | 185 x 207 mm |
| EQUIPMENT | INCLUDES FIVE STANDARD NOSEPIECES (1/8", 5/32", 3/16", .236", 1/4") AND JAWS | 3.0/3.2, 4.0, 4.8/5.0, 6.0, 6.4 mm |
| MATERIAL | FORGED STEEL | |
| ITEM CODE | 22450 00200 | |

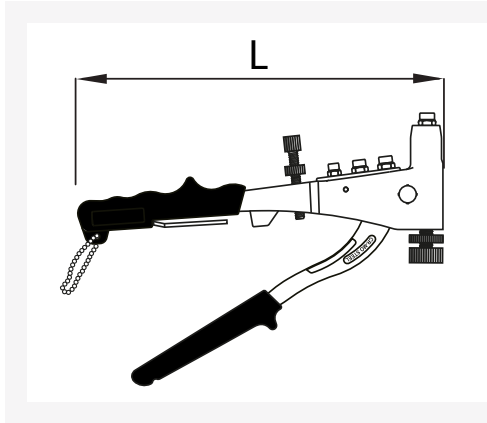
OPTIONAL PARTS

| | | |
|--------------------|-------|--------|
| NOSE PIECES | 3/32" | 2.4 mm |
|--------------------|-------|--------|



GO-35 - HAND RIVET NUT TOOL

FEATURES QUICK CHANGE THREADED MANDRELS & SINGLE STROKE ADJUSTMENT FUNCTION



RIVETING CAPACITY FOR BLIND RIVET NUTS

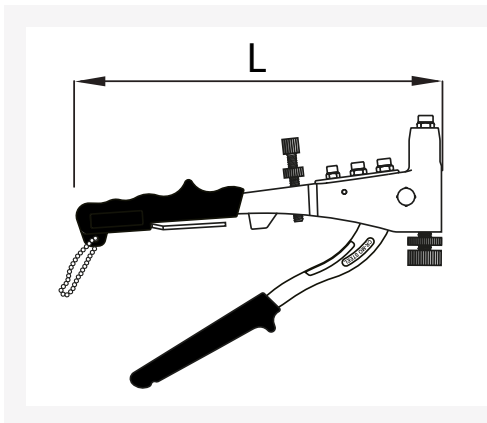
M3 - M5
All Materials
M6
Aluminum / Steel



| | | |
|------------------|--|---------|
| WEIGHT | 1.50 lbs | 0.68 kg |
| LENGTH | 10 - 1/4" | 260 mm |
| EQUIPMENT | INCLUDES FOUR THREADED MANDRELS (M3 - M6) AND A SERVICE WRENCH | |
| MATERIAL | HIGH STRENGTH ALUMINUM BODY WITH FORGED CR-MO STEEL ALLOY UPPER HANDLE | |
| ITEM CODE | 22900 00350 | |

GO-35-UN - HAND RIVET NUT TOOL

FEATURES QUICK CHANGE THREADED MANDRELS & SINGLE STROKE ADJUSTMENT FUNCTION



RIVETING CAPACITY FOR BLIND RIVET NUTS

6 - 32 ~ 10 - 24, 10 - 32
All Materials
1/4" - 20
Aluminum / Steel



| | | |
|------------------|---|---------|
| WEIGHT | 1.50 lbs | 0.68 kg |
| LENGTH | 10 - 1/4" | 260 mm |
| EQUIPMENT | INCLUDES FIVE THREADED MANDRELS (6-32, 8-32, 10-24, 10-32, 1/4-20) AND A SERVICE WRENCH | |
| MATERIAL | HIGH STRENGTH ALUMINUM BODY WITH FORGED CR-MO STEEL ALLOY UPPER HANDLE | |
| ITEM CODE | 22900 00351 | |



GO-510 - HEAVY DUTY HAND RIVET NUT TOOL

HIGH LEVERAGE DESIGN REDUCES GRIP FORCE PRESSURE & INCREASES RIVETING POWER



RIVETING CAPACITY FOR BLIND RIVET NUTS

M4 - M10

All Materials

M12

Aluminum / Steel

DETACHABLE & EXCHANGEABLE
QUICK-DRILL UNIT

| | | |
|-----------|---|-------------------|
| WEIGHT | 4.61 lbs | 2.09 kg |
| LENGTH | 20 - 7/8" | 530 mm |
| ABS CASE | 23 - 1/4" x 10 - 5/8" x 2 - 3/8" | 590 x 270 x 60 mm |
| EQUIPMENT | INCLUDES FIVE THREADED MANDRELS (M5 - M12) PLUS FIVE NOSEPIECES (M5 - M12) AND A SERVICE WRENCH | |
| MATERIAL | HIGH STRENGTH ALUMINUM BODY & LARGE STEEL HANDLES | |
| ITEM CODE | 22900 05100 | |



GO-510-UN - HEAVY DUTY HAND RIVET NUT TOOL

HIGH LEVERAGE DESIGN REDUCES GRIP FORCE PRESSURE & INCREASES RIVETING POWER



RIVETING CAPACITY FOR BLIND RIVETS NUTS

8 - 32 ~ 3/8-16 UNC

All Materials

1/2-13UNC

Aluminum / Steel

DETACHABLE & EXCHANGEABLE
QUICK-DRILL UNIT

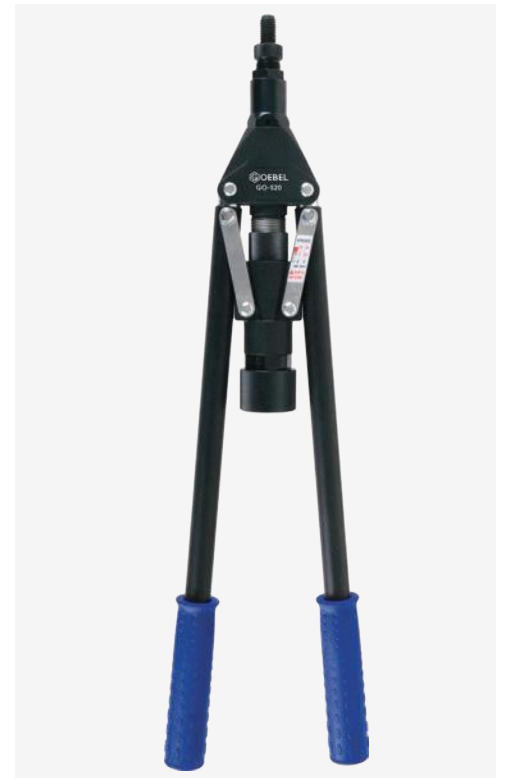
| | | |
|-----------|--|-------------------|
| WEIGHT | 4.61 lbs | 2.09 kg |
| LENGTH | 20 - 7/8" | 530 mm |
| ABS CASE | 23 - 1/4" x 10 - 5/8" x 2 - 3/8" | 590 x 270 x 60 mm |
| EQUIPMENT | INCLUDES SIX THREADED MANDRELS (10-24 ~ 1/2-13) PLUS FIVE NOSEPIECES (#10, 1/4", 5/16", 3/8", 1/2") AND A SERVICE WRENCH | |
| MATERIAL | HIGH STRENGTH ALUMINUM BODY & LARGE STEEL HANDLES | |
| ITEM CODE | 22900 05101 | |





GO-520 - HEAVY DUTY HAND RIVET NUT TOOL

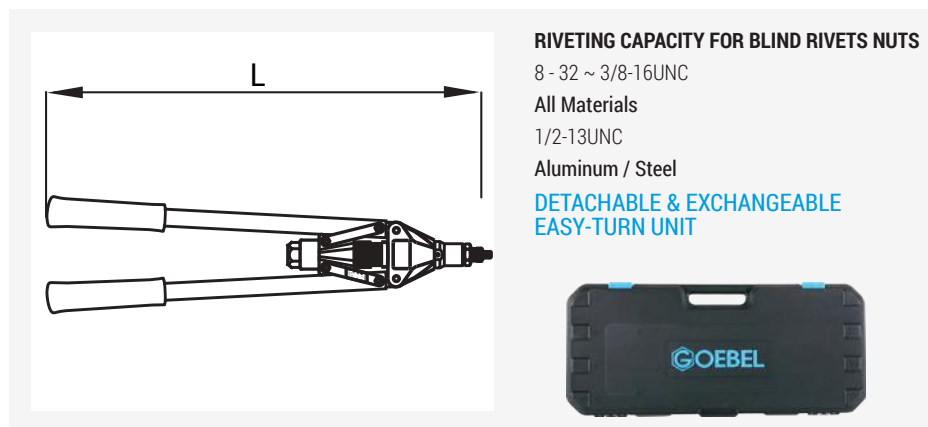
HIGH LEVERAGE DESIGN REDUCES GRIP FORCE PRESSURE & INCREASES RIVETING POWER



| | | |
|------------------|---|-------------------|
| WEIGHT | 4.61 lbs | 2.09 kg |
| LENGTH | 20 - 7/8" | 530 mm |
| ABS CASE | 23 - 1/4" x 10 - 5/8" x 2 - 3/8" | 590 x 270 x 60 mm |
| EQUIPMENT | INCLUDES FIVE THREADED MANDRELS (M5 - M12) PLUS FIVE NOSEPIECES (M5 - M12) AND A SERVICE WRENCH | |
| MATERIAL | HIGH STRENGTH ALUMINUM BODY & LARGE STEEL HANDLES | |
| ITEM CODE | 22900 05200 | |

GO-520-UN - HEAVY DUTY HAND RIVET NUT TOOL

HIGH LEVERAGE DESIGN REDUCES GRIP FORCE PRESSURE & INCREASES RIVETING POWER

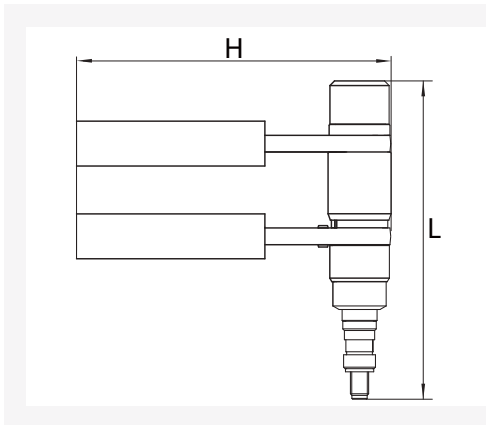


| | | |
|------------------|--|-------------------|
| WEIGHT | 4.61 lbs | 2.09 kg |
| LENGTH | 20 - 7/8" | 530 mm |
| ABS CASE | 23 - 1/4" x 10 - 5/8" x 2 - 3/8" | 590 x 270 x 60 mm |
| EQUIPMENT | INCLUDES SIX THREADED MANDRELS (10-24 ~ 1/2-13) PLUS FIVE NOSEPIECES (#10, 1/4", 5/16", 3/8", 1/2") AND A SERVICE WRENCH | |
| MATERIAL | HIGH STRENGTH ALUMINUM BODY & LARGE STEEL HANDLES | |
| ITEM CODE | 22900 05201 | |

Subject to modifications



GO-12-N SET - HAND RATCHET TOOL FOR BLIND RIVET NUTS



RIVETING CAPACITY FOR BLIND RIVET NUTS

6-32 UNC up to 1/2-13 UNC
All Materials



| | | |
|------------------|---|--------------|
| WEIGHT | 2.51 lbs | 1.14 kg |
| L x H | 8.27" x 8.15" | 210 x 207 mm |
| EQUIPMENT | INCLUDES MANDRELS AND ANVILS (10-24 UNC, 10-32 UNF, 1/4-20 UNC, 5/16-18 UNC, 3/8-16 UNC, 1/2-13 UNC) | |
| MATERIAL | FORGED STEEL | |
| ITEM CODE | 22450 01100 | |



OPTIONAL PARTS

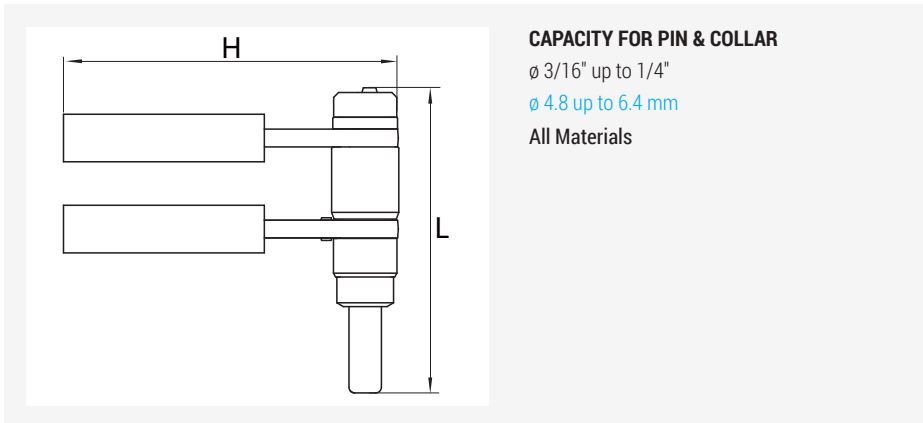
| | | |
|----------------------------|----------------|----------|
| MANDRELS AND ANVILS | 6-32 ~ 1/2-13 | M3 ~ M12 |
| RIVBOLT PULLERS | 6-32 ~ 5/16-18 | M3 ~ M8 |



METRIC EQUIPMENT SET

| | |
|------------------------------|----------------------|
| MANDRELS & ANVILS | M5, M6, M8, M10, M12 |
| ITEM CODE | 22700 00218 |

GO-12-P SET - HAND RATCHET TOOL FOR PIN & COLLAR



| | | |
|------------------|---|--------------|
| WEIGHT | 2.43 lbs | 1.1 kg |
| L x H | 7.32" x 8.15" | 186 x 207 mm |
| EQUIPMENT | INCLUDES NOSEPIECE FOR 1/4" (ACCORDING TO "C6L" - STANDARD) | 6.4 mm |
| MATERIAL | FORGED STEEL | |
| ITEM CODE | 22450 00300 | |



OPTIONAL PARTS

| | | |
|---|------------|--------|
| NOSE PIECES (*ACCORDING "C6L"-STANDARD) | 3/16" | 4.8 mm |
| ITEM CODE | 2266000110 | |



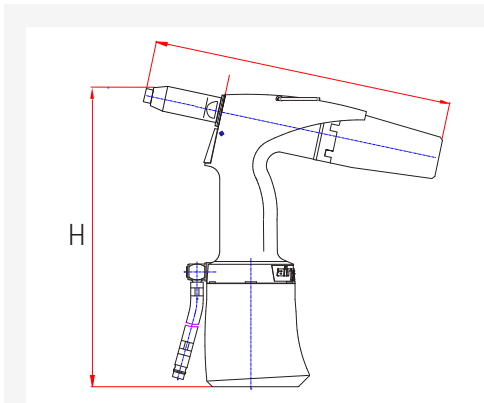
OPTIONAL PARTS

| | | |
|--|------------|--------|
| NOSE PIECES (*ACCORDING "MULTI-GRIP"-STANDARD) | 3/16" | 4.8 mm |
| ITEM CODE | 2266000109 | |

| | | |
|--|------------|--------|
| NOSE PIECES (*ACCORDING "MULTI-GRIP"-STANDARD) | 1/4" | 6.4 mm |
| ITEM CODE | 2266000108 | |



AIRPOWER 1 - PNEUMATIC/HYDRAULIC BLIND RIVET SETTING TOOL



RIVETING CAPACITY FOR BLIND RIVETS

ø 3/32" up to 3/16"

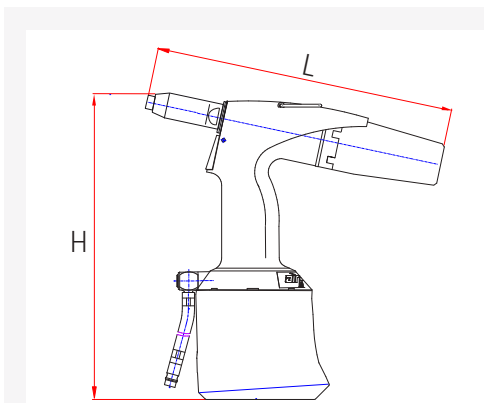
ø 2.4 up to 4.8 mm

All Materials

| | | |
|----------------------|---|--------------------|
| WEIGHT | 2.76 lbs | 1.25 kg |
| L x H | 10.71" x 10.39" | 272 x 264 mm |
| EQUIPMENT | INCLUDES THREE MOUNTED NOSEPIECES (1/8", 5/32", 3/16") AND A SERVICE WRENCH | |
| STROKE | 0.67" | 17 mm |
| PULLING FORCE | 1641 (@ 87 psi) | 7.3 kn (@ 6.0 bar) |
| WORKING AIR PRESSURE | 72.5 - 100 psi | 5 - 7 bar |
| MATERIAL | ABS | |
| ITEM CODE | 22441 00001 | |



AIRPOWER 2 - PNEUMATIC/HYDRAULIC BLIND RIVET SETTING TOOL



RIVETING CAPACITY FOR BLIND RIVETS NUTS

ø 5/32" up to 1/4"

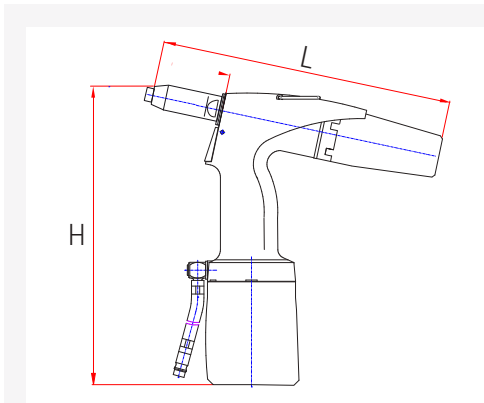
ø 4.0 up to 6.4 mm

All Materials

| | | |
|----------------------|---|---------------------|
| WEIGHT | 3.64 lbs | 1.65 kg |
| L x H | 10.71" x 10.83" | 272 x 275 mm |
| EQUIPMENT | INCLUDES FOUR MOUNTED NOSEPIECES (5/32", 3/16", .236", 1/4") AND A SERVICE WRENCH | |
| STROKE | 0.83" | 21 mm |
| PULLING FORCE | 2810 (@ 87 psi) | 12.5 kn (@ 6.0 bar) |
| WORKING AIR PRESSURE | 72.5 - 100 psi | 5 - 7 bar |
| MATERIAL | ABS | |
| ITEM CODE | 22441 00002 | |



AIRPOWER 3 - PNEUMATIC/HYDRAULIC SETTING TOOL FOR STRUCTURAL BLIND RIVETS



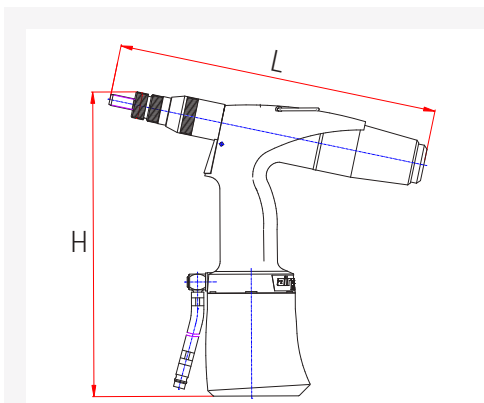
RIVETING CAPACITY FOR BLIND RIVETS

ϕ 3/16" up to 1/4"
 ϕ 4.8 up to 6.4 mm
 All Materials

| | | |
|----------------------|--|---------------------|
| WEIGHT | 4.41 lbs | 2.0 kg |
| L x H | 11.10" x 11.58" | 282 x 294 mm |
| EQUIPMENT | INCLUDES TWO MOUNTED NOSEPIECES (3/16", 1/4") AND A SERVICE WRENCH | |
| STROKE | 1.1" | 28 mm |
| PULLING FORCE | 3709 (@ 87 psi) | 16.5 kn (@ 6.0 bar) |
| WORKING AIR PRESSURE | 72.5 - 100 psi | 5 - 7 bar |
| MATERIAL | ABS | |
| ITEM CODE | 22441 00003 | |



AIRPOWER 4 - PNEUMATIC/HYDRAULIC SETTING TOOL FOR BLIND RIVET NUTS AND BOLTS



RIVETING CAPACITY FOR BLIND RIVET NUTS

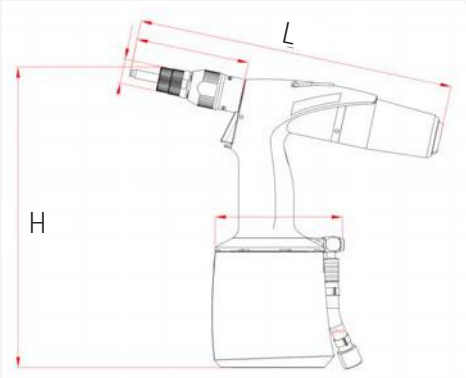
6-32 to 3/8 UNC
 All Materials
 6-32 to 1/2-13 UNC
 Aluminium/ Steel

| | | |
|----------------------|---|---------------------|
| WEIGHT | 3.64 lbs | 1.65 kg |
| L x H | 11.10" x 10.63" | 285 x 270 mm |
| EQUIPMENT | INCLUDES FIVE THREADED MANDRELS (6-32, 8-32, 10-24, 10-32, 1/4-20 UNC) AND A SERVICE WRENCH | |
| STROKE | 0.28" | 7 mm |
| PULLING FORCE | 4204 lbf (@ 87 psi) | 18.7 kn (@ 6.0 bar) |
| WORKING AIR PRESSURE | 80-100 psi | 5 - 7 bar |
| MATERIAL | ABS | |
| ITEM CODE | 22441 00004 | |





AIRPOWER 5 - PNEUMATIC/HYDRAULIC SETTING TOOL FOR BLIND RIVET NUTS AND BOLTS



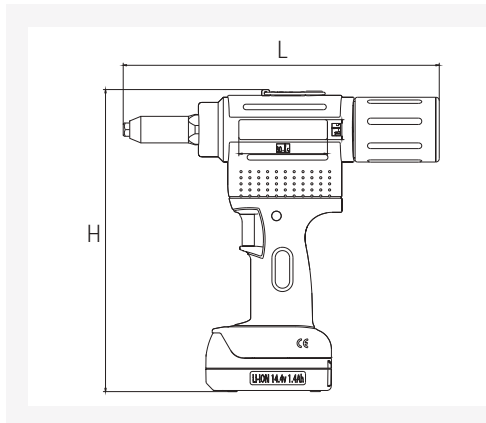
RIVETING CAPACITY FOR BLIND RIVET NUTS
1/4-20 to 1/2-13 UNC
All Materials



| | | |
|-----------------------------|--|-------------------|
| WEIGHT | 4.91 lbs | 2.23 kg |
| L x H | 11.41" x 11.02" | 290 x 280 mm |
| EQUIPMENT | INCLUDES FOUR THREADED MANDRELS (1/4-20, 5/16-18, 3/8-16, 1/2-13 UNC) AND A SERVICE WRENCH | |
| STROKE | 0.315" | 8 mm |
| PULLING FORCE | 6070 lbf (@ 87 psi) | 27 kn (@ 6.0 bar) |
| WORKING AIR PRESSURE | 80 - 100 psi | 5 - 7 bar |
| MATERIAL | ABS | |
| ITEM CODE | 22441 00050 | |



GO-100 - LITHIUM-ION CORDLESS RIVET TOOL



RIVETING CAPACITY FOR BLIND RIVETS

ø 3/32" up to 3/16"

ø 2.4 up to 4.8 mm

All Materials



| | | |
|----------------------|-----------------|--------------|
| WEIGHT | 3.75 lbs | 1.7 kg |
| L x H | 10.75" x 11.22" | 273 x 285 mm |
| STROKE | 0.80" | 20 mm |
| PULLING FORCE | 2698 lbf | 12.0 kn |
| MATERIAL | PE | |
| ITEM CODE | 22660 10101 | |

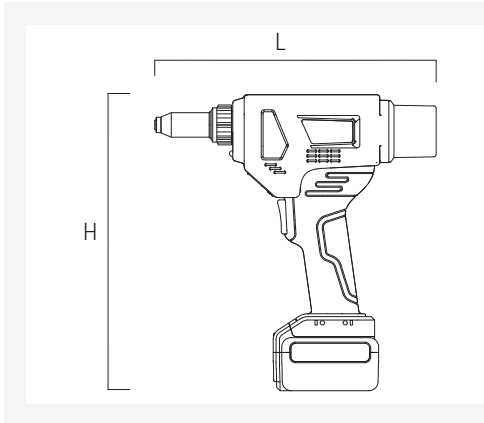


INCLUDED EQUIPMENT SET

| | | |
|-----------------------------|---------------------------|-----------------------|
| NOSE PIECES | 3/32", 1/8", 5/32", 3/16" | 2.4, 3.2, 4.0, 4.8 mm |
| QUICK CHANGE BATTERY | Li-Ion 14.4 V / 1.4 Ah | |
| CHARGER | 14.4 V Li-Ion | |
| ABS CASE | 1.48' x 1.15' x .36' | 45 x 35 x 11 cm |



GO-BR1 LITHIUM-ION CORDLESS RIVET TOOL



RIVETING CAPACITY FOR BLIND RIVETS

∅ 1/8" up to 3/16"
∅ 3.2 up to 4.8 mm
All Materials



| | | |
|-----------------------------|-----------------------|-------------------------|
| WEIGHT | 3.08 lbs | 1.4 kg |
| WEIGHT INCL. BATTERY | | |
| L x H | 9.72" x 9.84" | 247 x 250 mm |
| STROKE (B / S) | B = 0.83" / S = 0.59" | (B = 26 mm / S = 18 mm) |
| PULLING FORCE | 2698 lbf | 12.0 kn |
| MATERIAL | | PE |
| ITEM CODE | | 22770 10010 |



INCLUDED EQUIPMENT SET

| | | |
|-----------------------------|----------------------|----------------------|
| NOSE PIECES | 1/8", 5/32", 3/16" | 3.2, 4.0, 4.8 mm |
| QUICK CHANGE BATTERY | | Li-Ion 18 V / 2.0 Ah |
| CHARGER | | 18 V Li-Ion |
| ABS CASE | 1.24" x 0.98" x .26" | 38 x 30 x 8 cm |

GO-BR1 LITHIUM-ION CORDLESS RIVET TOOL



DELIVERED WITH:

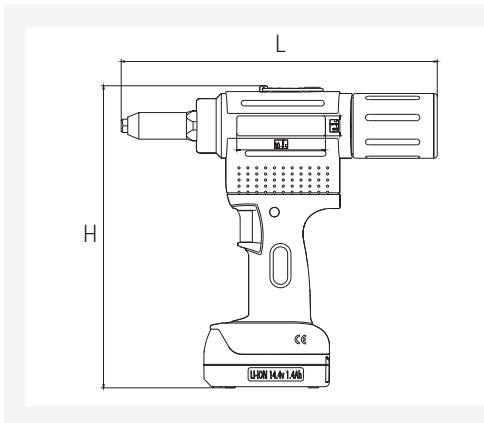


WATCH VIDEO HERE:





GO-100+ - LITHIUM-ION CORDLESS RIVET TOOL



**RIVETING CAPACITY
FOR TRIPLE CLAW BLIND RIVETS**
 ϕ 3/16", 1/4", 9/32"
 ϕ 5.2, 6.4, 7.5 mm
 Aluminum



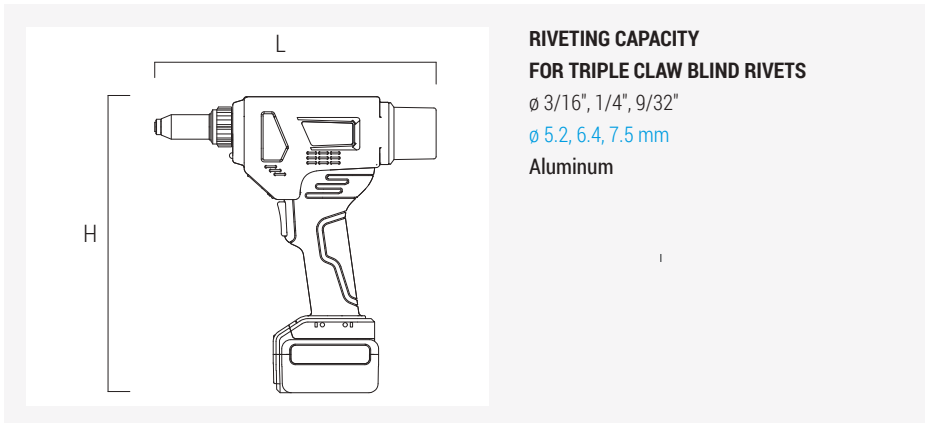
| | | |
|----------------------|-----------------|--------------|
| WEIGHT | 3.75 lbs | 1.7 kg |
| L x H | 10.75" x 11.22" | 273 x 285 mm |
| STROKE | 0.80" | 20 mm |
| PULLING FORCE | 2698 lbf | 12.0 kn |
| MATERIAL | PE | |
| ITEM CODE | 22660 12101 | |



INCLUDED EQUIPMENT SET

| | | |
|-----------------------------|------------------------|------------------|
| NOSE PIECES | 3/16", 1/4", 9/32" | 5.2, 6.4, 7.5 mm |
| QUICK CHANGE BATTERY | Li-Ion 14.4 V / 1.4 Ah | |
| CHARGER | 14.4 V Li-Ion | |
| ABS CASE | 1.48" x 1.15" x .36" | 45 x 35 x 11 cm |

GO-TR1 LITHIUM-ION CORDLESS RIVET TOOL



**RIVETING CAPACITY
FOR TRIPLE CLAW BLIND RIVETS**
 ø 3/16", 1/4", 9/32"
 ø 5.2, 6.4, 7.5 mm
 Aluminum



| | | |
|-----------------------------|-------------------------|-------------------------|
| WEIGHT | 3.08 lbs | 1.4 kg |
| WEIGHT INCL. BATTERY | | |
| L x H | 9.72" x 9.84" | 247 x 250 mm |
| STROKE (B / S) | (B = 1.02" / S = 0.71") | (B = 26 mm / S = 18 mm) |
| PULLING FORCE | 2698 lbf | 12.0 kn |
| MATERIAL | | PE |
| ITEM CODE | | 22770 20010 |



INCLUDED EQUIPMENT SET

| | | |
|-----------------------------|----------------------|----------------------|
| NOSE PIECES | 3/16", 1/4", 9/32" | 5.2, 6.4, 7.5 mm |
| QUICK CHANGE BATTERY | | Li-Ion 18 V / 2.0 Ah |
| CHARGER | | 18 V Li-Ion |
| ABS CASE | 1.24" x 0.98" x .26" | 38 x 30 x 8 cm |



GO-TR1 LITHIUM-ION CORDLESS RIVET TOOL



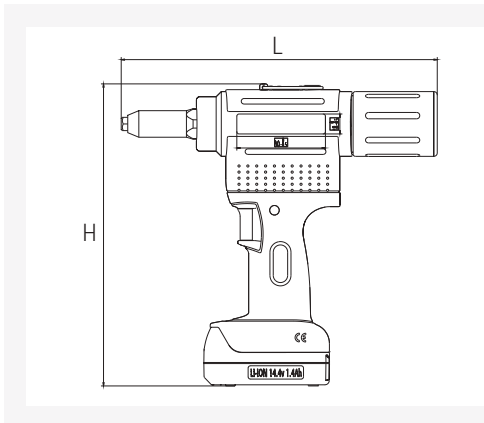
DELIVERED WITH:



WATCH VIDEO HERE:



GO-200 - LITHIUM-ION CORDLESS RIVET TOOL



RIVETING CAPACITY FOR BLIND RIVETS

ø 5/32" up to 1/4"

ø 4.0 up to 6.4 mm

All Materials



| | | |
|----------------------|-----------------|--------------|
| WEIGHT | 3.75 lbs | 1.7 kg |
| L x H | 10.75" x 11.22" | 273 x 285 mm |
| STROKE | 1.06" | 27 mm |
| PULLING FORCE | 4047 lbf | 18.0 kn |
| MATERIAL | PE | |
| ITEM CODE | 22660 20101 | |

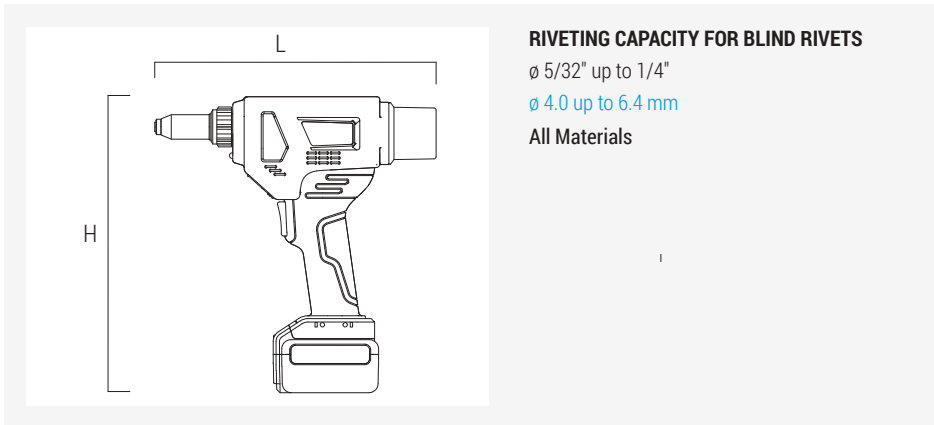


INCLUDED EQUIPMENT SET

| | | |
|-----------------------------|---|---|
| NOSE PIECES | 5/32", 3/16", 1/4" 3/16", 1/4" (Monobolt®) | 4.0, 4.8, 6.4 mm 4.8, 6.4 mm (Monobolt®) |
| QUICK CHANGE BATTERY | Li-Ion 14.4 V / 1.4 Ah | |
| CHARGER | 14.4 V Li-Ion | |
| ABS CASE | 1.48" x 1.15" x .36" | 45 x 35 x 11 cm |



GO-BR2 LITHIUM-ION CORDLESS RIVET TOOL



| | | |
|-----------------------------|-------------------------|-------------------------|
| WEIGHT INCL. BATTERY | 3.52 lbs | 1.6 kg |
| L x H | 10.19" x 9.84" | 259 x 250 mm |
| STROKE (B / S) | (B = 1.02" / S = 0.71") | (B = 26 mm / S = 18 mm) |
| PULLING FORCE | 4046 lbf | 18.0 kn |
| MATERIAL | PE | |
| ITEM CODE | 22770 10020 | |



INCLUDED EQUIPMENT SET

| | | |
|-----------------------------|--|---|
| NOSE PIECES | 5/32", 3/16", 1/4" 3/16", 1/4" (Monobolt®) 3/16", 1/4" (GO-Lock/Premium) | 4.0, 4.8, 6.0, 6.4 mm 4.8, 6.4 mm (Monobolt®) 4.8, 6.4 mm (GO-Lock / Premium) |
| QUICK CHANGE BATTERY | Li-Ion 18 V / 2.0 Ah | |
| CHARGER | 18 V Li-Ion | |
| ABS CASE | 1.24" x 0.98" x .26" | 38 x 30 x 8 cm |

GO-BR2 LITHIUM-ION CORDLESS RIVET TOOL



DELIVERED WITH:

- | | |
|--------------|-------------------------------|
| 5/32" | 3/16" GO-LOCK/ Premium |
| 3/16" | 3/16" M-Lock |
| 6,0mm | 1/4" GO-LOCK/ Premium |
| 1/4" | 1/4" M-Lock |

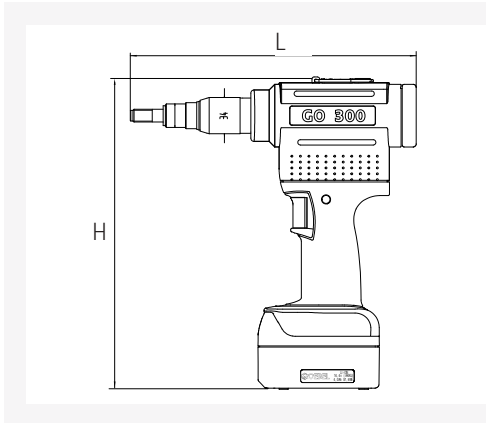


WATCH VIDEO HERE:





GO-300-UN - LITHIUM-ION CORDLESS RIVET NUT TOOL



RIVETING CAPACITY FOR BLIND RIVET NUTS

6-32 ~ 1/2-13UNC
 All Materials
 1/2-13UNC
 Aluminum / Steel



| | | |
|----------------------|-----------------|--------------|
| WEIGHT | 3.80 lbs | 1.72 kg |
| L x H | 10.55" x 11.22" | 268 x 285 mm |
| STROKE | .32" | 8 mm |
| PULLING FORCE | 6070 lbf | 27.0 kn |
| MATERIAL | PE | |
| ITEM CODE | 22660 30102 | |



INCLUDED EQUIPMENT SET

| | | |
|------------------------------|---|-----------------|
| MANDRELS & ANVILS | 10-24 UNC, 10-32 UNF, 1/4-20 UNC, 5/16-18 UNC, 3/8-16 UNC, 1/2-13 UNC | |
| QUICK CHANGE BATTERY | 14.4 V Li-Ion / 4.0 Ah / 57.6 Wh | |
| CHARGER | 14.4 V Li-Ion | |
| ABS CASE | 1.48" x 1.15" x .36" | 45 x 35 x 11 cm |



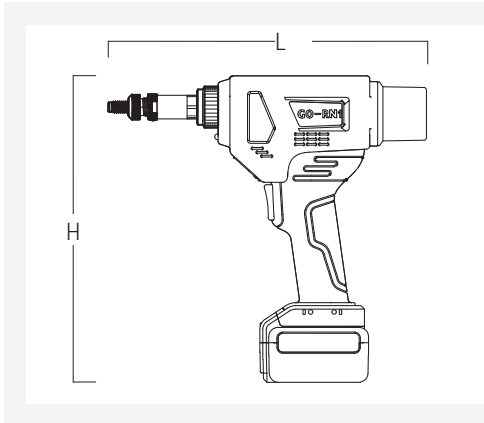
METRIC EQUIPMENT SET

| | |
|------------------------------|----------------------|
| MANDRELS & ANVILS | M5, M6, M8, M10, M12 |
| ITEM CODE | 22700 00218 |

OPTIONAL PARTS

| | | |
|----------------------------|----------------|----------|
| MANDRELS AND ANVILS | 6-32 ~ 1/2-13 | M3 ~ M12 |
| RIVBOLT PULLERS | 6-32 ~ 5/16-18 | M3 ~ M8 |

GO-RN1 - LITHIUM-ION CORDLESS RIVET NUT TOOL



RIVETING CAPACITY FOR BLIND RIVET NUTS
6-32 ~ 5/16-18UNC
All Materials



| | | |
|---------------------------------------|-----------------|--------------|
| WEIGHT | 3.30 lbs | 1.5 kg |
| L x H | 10.62" x 10.23" | 270 x 260 mm |
| STROKE ADJUSTABLE FROM / UP TO | .008" - .23" | 0.2 - 6.0 mm |
| PULLING FORCE | 4046 lbf | 18.0 kn |
| MATERIAL | PE | |
| ITEM CODE | 22770 30010 | |



INCLUDED EQUIPMENT SET

| | | |
|------------------------------|---|----------------|
| MANDRELS & ANVILS | 6-32UNC, 8-32UNC, 10-24UNC, 10-32UNF, 1/4-20UNC, 5/16-18UNC | |
| QUICK CHANGE BATTERY | 18 V Li-Ion / 2.0 Ah / 36 Wh | |
| CHARGER | 18 V Li-Ion | |
| ABS CASE | 14.96" x 11.81" x 3.15" | 38 x 30 x 8 cm |



METRIC EQUIPMENT SET

| | |
|------------------------------|--------------------|
| MANDRELS & ANVILS | M3, M4, M5, M6, M8 |
| ITEM CODE | 2277039910 |



GO-RN1 - LITHIUM-ION CORDLESS RIVET NUT TOOL



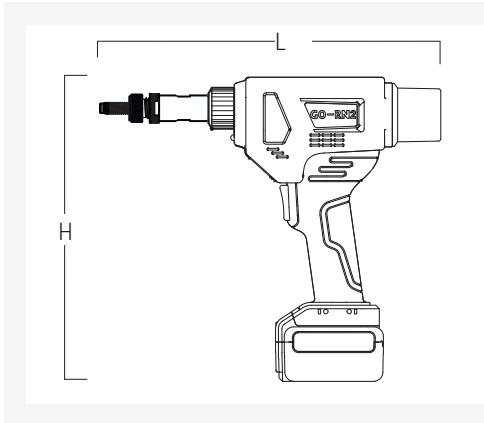
DELIVERED WITH:



WATCH VIDEO HERE:



GO-RN2 - LITHIUM-ION CORDLESS RIVET NUT TOOL



RIVETING CAPACITY FOR BLIND RIVET NUTS
10-24 ~ 1/2-13UNC
All Materials



| | | |
|---------------------------------------|--------------------|--------------|
| WEIGHT | 3.30 lbs | 1.5 kg |
| L x H | 11.49" x 10.23" | 292 x 260 mm |
| STROKE ADJUSTABLE FROM / UP TO | .01" - .35" | 0.3 - 9.0 mm |
| PULLING FORCE | 6070 lbf | 27.0 kn |
| MATERIAL | | PE |
| ITEM CODE | 22770 30020 | |



INCLUDED EQUIPMENT SET

| | | |
|------------------------------|---|----------------|
| MANDRELS & ANVILS | 10-24UNC, 10-32UNF, 1/4-20UNC, 5/16-18UNC, 3/8-16UNC, 1/2-13UNC | |
| QUICK CHANGE BATTERY | 18 V Li-Ion / 2.0 Ah / 36 Wh | |
| CHARGER | 18 V Li-Ion | |
| ABS CASE | 14.96" x 11.81" x 3.15" | 38 x 30 x 8 cm |



METRIC EQUIPMENT SET

| | |
|------------------------------|----------------------|
| MANDRELS & ANVILS | M5, M6, M8, M10, M12 |
| ITEM CODE | 2277039920 |



GO-RN2 - LITHIUM-ION CORDLESS RIVET NUT TOOL



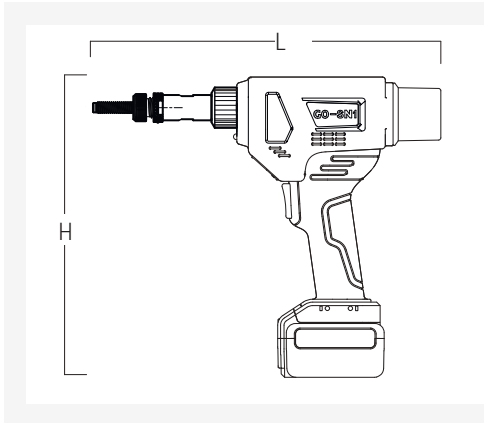
DELIVERED WITH:



WATCH VIDEO HERE:



GO-SN1 - LITHIUM-ION CORDLESS RIVET NUT TOOL



RIVETING CAPACITY FOR BLIND RIVET NUTS
10-24 ~ 3/8-16UNC
All Materials



| | | |
|---------------------------------------|--------------------|---------------|
| WEIGHT | 3.52 lbs | 1.6 kg |
| L x H | 11.89" x 10.23" | 302 x 260 mm |
| STROKE ADJUSTABLE FROM / UP TO | .15" - .61" | 4.0 - 15.6 mm |
| PULLING FORCE | 4721 lbf | 21.0 kn |
| MATERIAL | | PE |
| ITEM CODE | 22770 50010 | |



INCLUDED EQUIPMENT SET

| | | |
|------------------------------|--|----------------|
| MANDRELS & ANVILS | 10-24UNC, 10-32UNF, 1/4-20UNC, 5/16-18UNC, 3/8-16UNC | |
| QUICK CHANGE BATTERY | 18 V Li-Ion / 2.0 Ah / 36 Wh | |
| CHARGER | 18 V Li-Ion | |
| ABS CASE | 14.96" x 11.81" x 3.15" | 38 x 30 x 8 cm |



METRIC EQUIPMENT SET

| | |
|------------------------------|-------------------|
| MANDRELS & ANVILS | M5, M6, M8, M10 |
| ITEM CODE | 2277059910 |



GO-SN1 - LITHIUM-ION CORDLESS RIVET NUT TOOL



DELIVERED WITH:

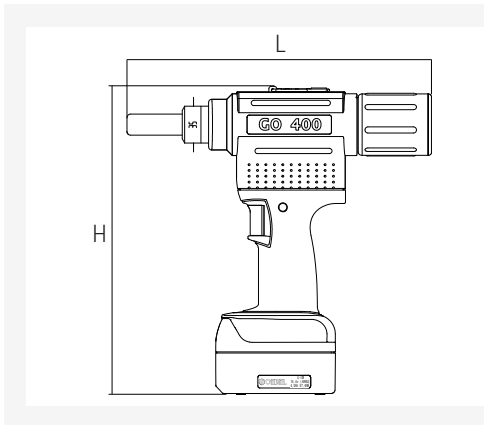


WATCH VIDEO HERE:





GO-400 - LITHIUM-ION CORDLESS TOOL FOR PIN & COLLAR



CAPACITY FOR PIN & COLLAR

∅ 3/16" up to 1/4"

∅ 4.8 up to 6.4 mm

All Materials



| | | |
|----------------------|-----------------|--------------|
| WEIGHT | 3.70 lbs | 1.68 kg |
| L x H | 11.42" x 11.22" | 290 x 285 mm |
| STROKE | .83" | 21 mm |
| PULLING FORCE | 4500 lbf | 20.0 kn |
| MATERIAL | PE | |
| ITEM CODE | 22660 40102 | |



INCLUDED EQUIPMENT SET

| | | |
|---|----------------------------------|-----------------|
| NOSE PIECES (*ACCORDING "C6L"-STANDARD) | 1/4" | 6.4 mm |
| QUICK CHANGE BATTERY | 14.4 V Li-Ion / 4.0 Ah / 57.6 Wh | |
| CHARGER | 14.4 V Li-Ion | |
| ABS CASE | 1.48" x 1.15" x .36" | 45 x 35 x 11 cm |



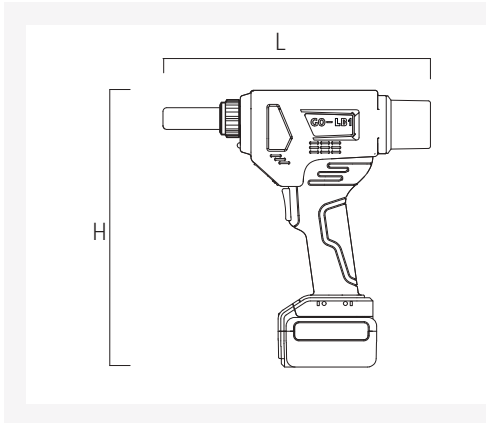
OPTIONAL PARTS

| | | |
|--|------------|--------|
| NOSE ASSEMBLY (*ACCORDING "C6L"-STANDARD) | 3/16" | 4.8 mm |
| ITEM CODE | 2266000110 | |
| NOSE ASSEMBLY (*ACCORDING "MULTI-GRIP"-STANDARD) | 3/16" | 4.8 mm |
| ITEM CODE | 2266000109 | |
| NOSE ASSEMBLY (*ACCORDING "MULTI-GRIP"-STANDARD) | 1/4" | 6.4 mm |
| ITEM CODE | 2266000108 | |

Subject to modifications



GO-LB1 - LITHIUM-ION CORDLESS TOOL FOR PIN & COLLAR



CAPACITY FOR PIN & COLLAR

ø 3/16" up to 1/4"
ø 4.8 up to 6.4 mm
All Materials



Table with specifications: WEIGHT (3.30 lbs / 1.5 kg), L x H (9.65" x 10.24" / 245 x 260 mm), STROKE (.62" / 16 mm), PULLING FORCE (5170 lbf / 23.0 kn), MATERIAL (PE), ITEM CODE (22770 40010)



INCLUDED EQUIPMENT SET

Table listing included equipment: QUICK CHANGE BATTERY (18 V Li-Ion / 2.0 Ah / 36 Wh), CHARGER (18 V Li-Ion), ABS CASE (1.24" x 0.98" x .26" / 38 x 30 x 8 cm)

OPTIONAL PARTS

Table listing optional parts: NOSE ASSEMBLY (3/16" / 4.8 mm, ITEM CODE 2266000110), NOSE ASSEMBLY (1/4" / 6.4 mm, ITEM CODE 2266000174), NOSE ASSEMBLY (3/16" / 4.8 mm, ITEM CODE 2266000109), NOSE ASSEMBLY (1/4" / 6.4 mm, ITEM CODE 2266000108)



GO-LB1 - LITHIUM-ION CORDLESS LOCKBOLT TOOL



DELIVERED WITH:



***Nose Assemblies Sold Separately**

Multi Lockbolt:
Ø 3/16" & 1/4"



Lockbolt with 6 grooves:
Ø 3/16" & 1/4"

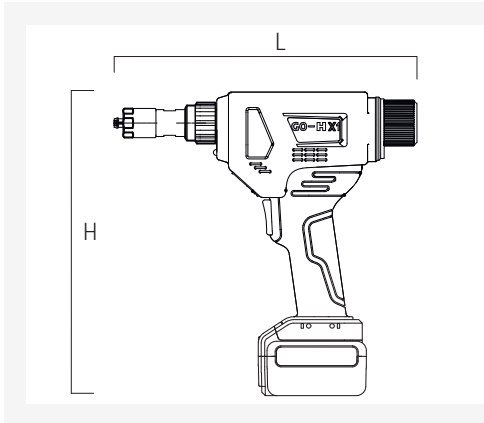


WATCH VIDEO HERE:





GO-HX1 - LITHIUM-ION CORDLESS HEX CUTTER TOOL



RIVETING CAPACITY FOR BLIND RIVET NUTS
 10-24 ~ 3/8-16UNC
 All Materials



| | | |
|-----------------------------|-----------------|--------------------|
| WEIGHT INCL. BATTERY | 3.30 lbs | 1.5 kg |
| L x H | 10.43" x 10.24" | 265 x 260 mm |
| STROKE | .79" | 20 mm |
| PULLING FORCE | 3600 lbf | 16.0 kn |
| MATERIAL | | PE |
| ITEM CODE | | 22770 60010 |



INCLUDED EQUIPMENT SET

*Nose Assemblies Sold Separately

| | | |
|-----------------------------|----------------------|----------------------|
| QUICK CHANGE BATTERY | | Li-Ion 18 V / 2.0 Ah |
| CHARGER | | 18 V Li-Ion |
| ABS CASE | 1.24" x 0.98" x .26" | 38 x 30 x 8 cm |

PROCESS



1. 2.



GO-NUT



GO-NUT

3.

| | AL | ST | SS |
|-------------------|---------|---------|---------|
| M5 | ≤ 2,5mm | ≤ 1,5mm | ≤ 1,5mm |
| 10-24UNC/10-32UNF | ≤ 0,1" | ≤ 0,06" | ≤ 0,06" |
| M6 | ≤ 5mm | ≤ 3mm | ≤ 2,0mm |
| 1/4-20UNC | ≤ 0,2" | ≤ 0,12" | ≤ 0,08" |
| M8 | ≤ 5mm | ≤ 3mm | ≤ 2,0mm |
| 5/16-18UNC | ≤ 0,2" | ≤ 0,12" | ≤ 0,08" |
| M10 | ≤ 5mm | ≤ 3mm | ≤ 2,0mm |
| 3/8-16UNC | ≤ 0,2" | ≤ 0,12" | ≤ 0,08" |

Subject to modifications

GO-HX1 - LITHIUM-ION CORDLESS RIVET NUT TOOL



Hex-hole cutter

LED Light for better visibilit of work area

Trigger

Slide-in battery (18V Li-ION 2,0 Ah / 36 Wh) with capacity indicator

Protective housing of the underlying spring cover and mandrel

Brushless motor with high durability

Robust housing with ergonomic soft grip design

3.30 lbs



DELIVERED WITH:



2x

***Nose Assemblies Sold Separately**



**Front Sleeve Set:
10-24 ~ 3/8-16UNC**



Core Rod: 1x

WATCH VIDEO HERE:



GOEBEL Locations Worldwide



UNITED STATES OF AMERICA

GOEBEL FASTENERS INC.
5650 GUHN ROAD, SUITE 110
HOUSTON, TX 77040
TEL.: +1- (713) 393 7007
E-MAIL: SALES@GOEBELFASTENERS.COM
WEB: WWW.GOEBELFASTENERS.COM

GERMANY

GOEBEL GMBH
SCHRAUB- UND VERBINDUNGSTECHNIK
MÜHLENSTRASSE 2-4
D-40699 ERKRATH
TEL.: +49 -(0) 211- 245000-0
FAX: +49- (0) 211- 245000-250
E-MAIL: DE@GOEBEL-GROUP.COM
WEB: WWW.GOEBEL-GROUP.COM

FRANCE

SOCIÉTÉ GOEBEL
VIS ET TECHNIQUES DE FIXATION
LE DÔME, 1 RUE DE LA HAYE, BP 12910
F-95731 ROISSY CDG CEDEX
TEL.: +33- (0) 1- 82887280
FAX: +33- (0) 1- 82887281
E-MAIL: FR@GOEBEL-GROUP.COM
WEB: WWW.GOEBEL-GROUP.COM

NETHERLANDS

GOEBEL BV
SCHROEF- EN VERBINDINGSTECHNIEK
ARESSTRAAT 13-02/04
NL-5048 CD TILBURG
TEL.: +31- (0) 13- 5720229
FAX: +31- (0) 13- 5720239
E-MAIL: NL@GOEBEL-GROUP.COM
WEB: WWW.GOEBEL-GROUP.COM

POLAND

GOEBEL POLSKA SP.Z.O.O.
UL.TOPOLOWA 1
PL-05-805 KANIE
TEL.: +48- (0) 22- 7593678
E-MAIL: PL@GOEBEL-GROUP.COM
WEB: WWW.GOEBEL-GROUP.COM